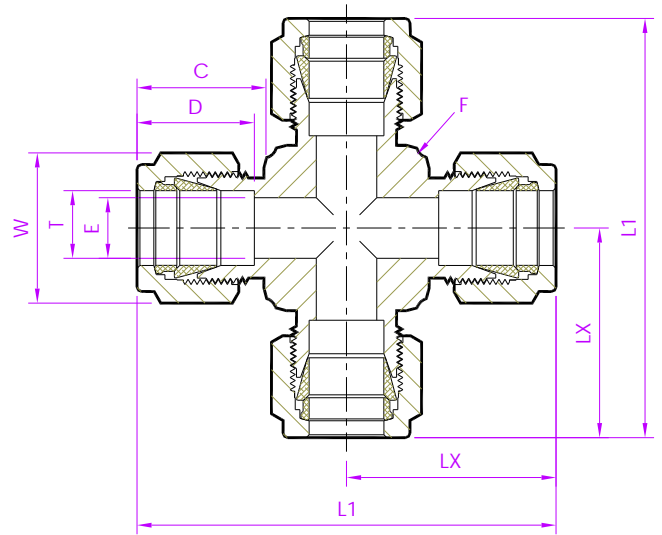


**- Tube Fitting (Double Ferrule)-
Tube To Tube**



Union Cross

Fractional Tube x Fractional Tube

Tubefit Part No.	Equivalent Part No. Type 1	Equivalent Part No. Type 2	TUBE OD Ø T	ØE	D	C	L1	LX	Body Hex F	Nut Hex W
Dimensions in Inches										
2 - UCD	- 200 - 4	2ECR2	1/8	0.09	0.50	0.60	1.76	0.88	1/2	7/16
3 - UCD	- 300 - 4	3ECR3	3/16	0.12	0.54	0.63	1.92	0.95	1/2	1/2
4 - UCD	- 400 - 4	4ECR4	1/4	0.19	0.60	0.70	2.12	1.06	9/16	9/16
5 - UCD	- 500 - 4	5ECR5	5/16	0.25	5/16	0.64	2.34	0.73	9/16	5/8
6 - UCD	- 600 - 4	6ECR6	3/8	0.28	0.66	0.76	2.40	1.20	11/16	11/16
8 - UCD	- 810 - 4	8ECR8	1/2	0.41	0.90	0.86	2.84	1.42	13/16	7/8
10 - UCD	- 1010 - 4	10ECR10	5/8	0.50	0.96	0.86	2.86	1.43	7/8	1
12 - UCD	- 1210 - 4	12ECR12	3/4	0.62	0.96	0.86	3.14	1.57	1.1/16	1.1/8
14 - UCD	- 1410 - 4	14ECR14	7/8	0.72	1.02	0.86	3.52	1.76	1.1/4	1.1/4
16 - UCD	- 1610 - 4	16ECR16	1	0.88	1.23	1.04	3.86	1.93	1.3/8	1.1/2

NOTE : 1)The E Dimension is the minimum opening. 2)Dimension L1, C, D is shown in the finger-tight position.
3)Dimensions are for reference only and are subject to change.

- ALL PART NUMBERS ARE PROPRIETARY OF THEIR RESPECTIVE OWNERS. -